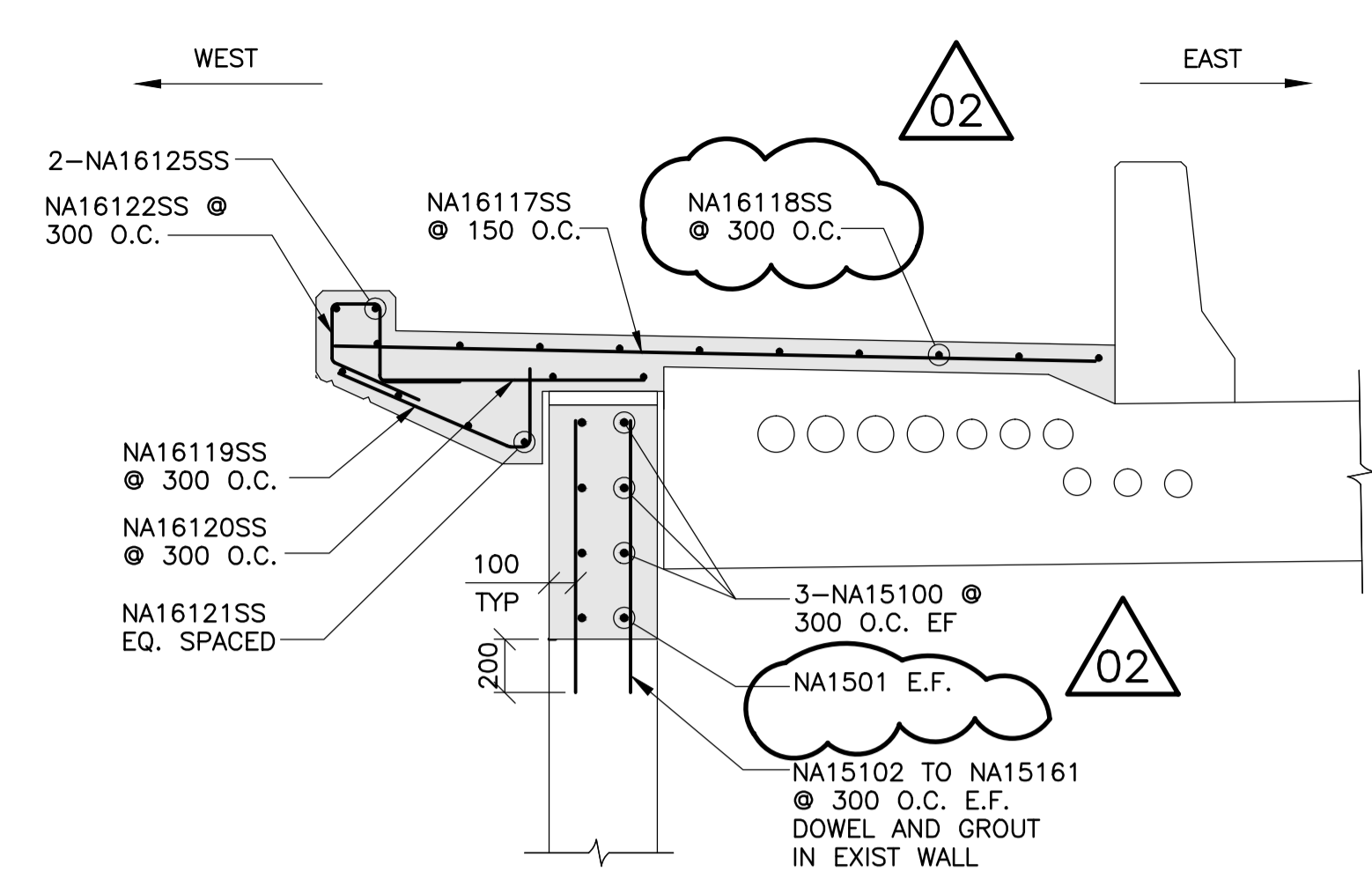
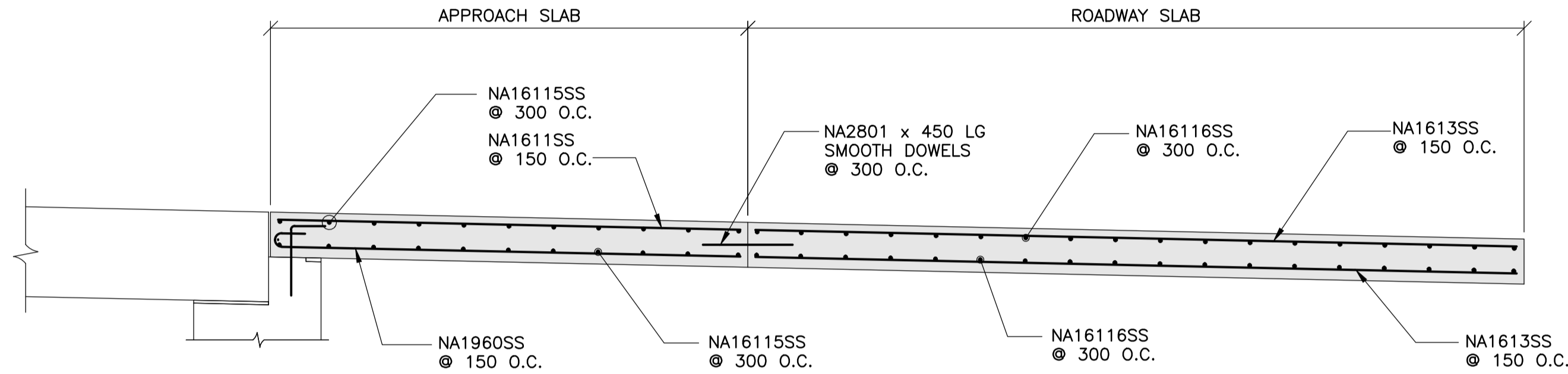


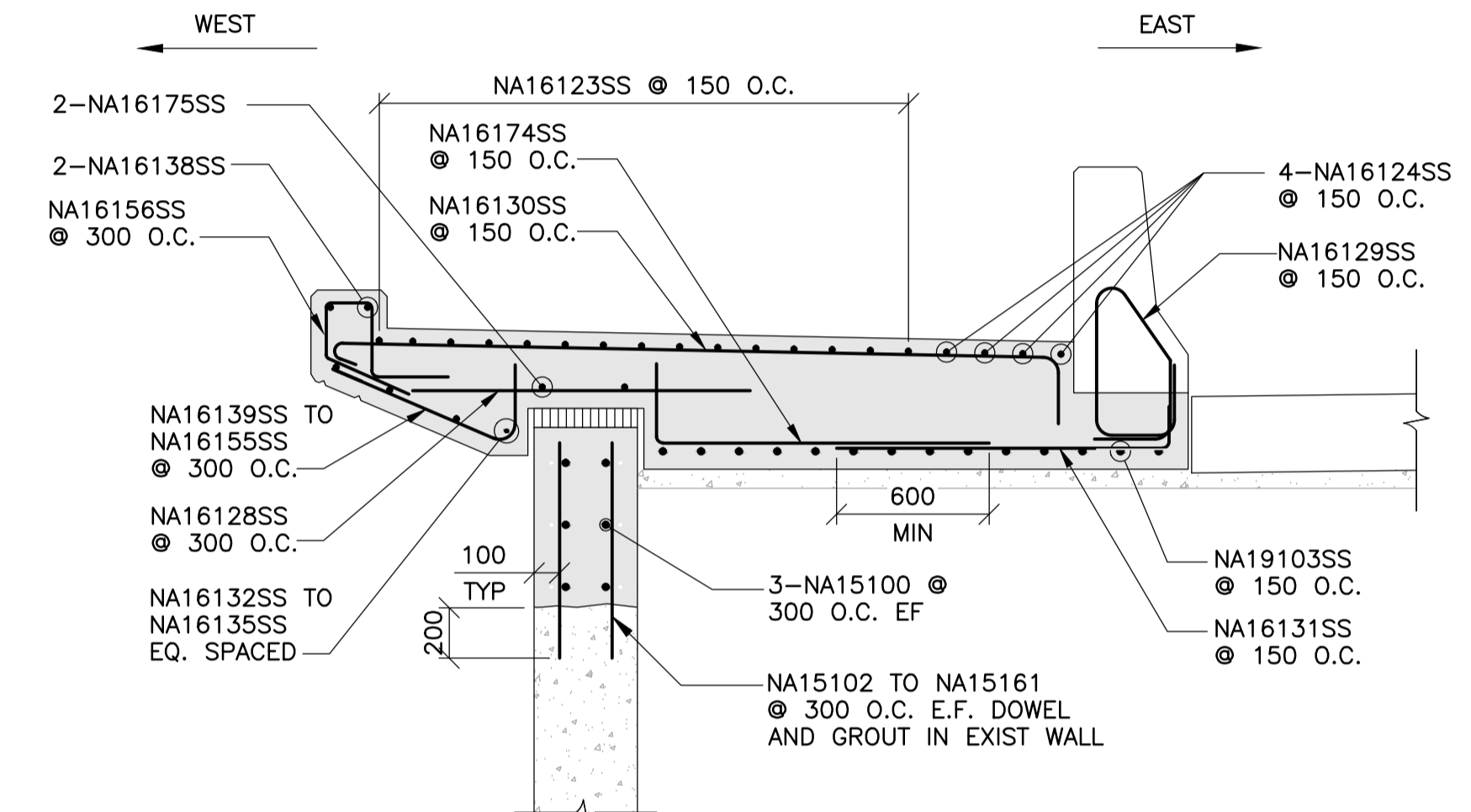
1 SECTION
32 33
1 : 30



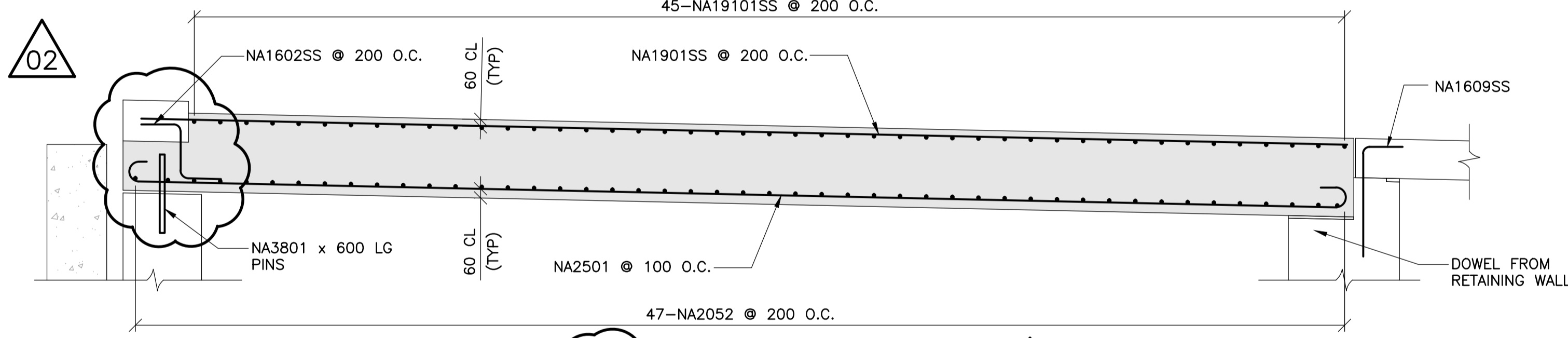
5 SECTION AT ABUTMENT SIDEWALK
32 33
1 : 25



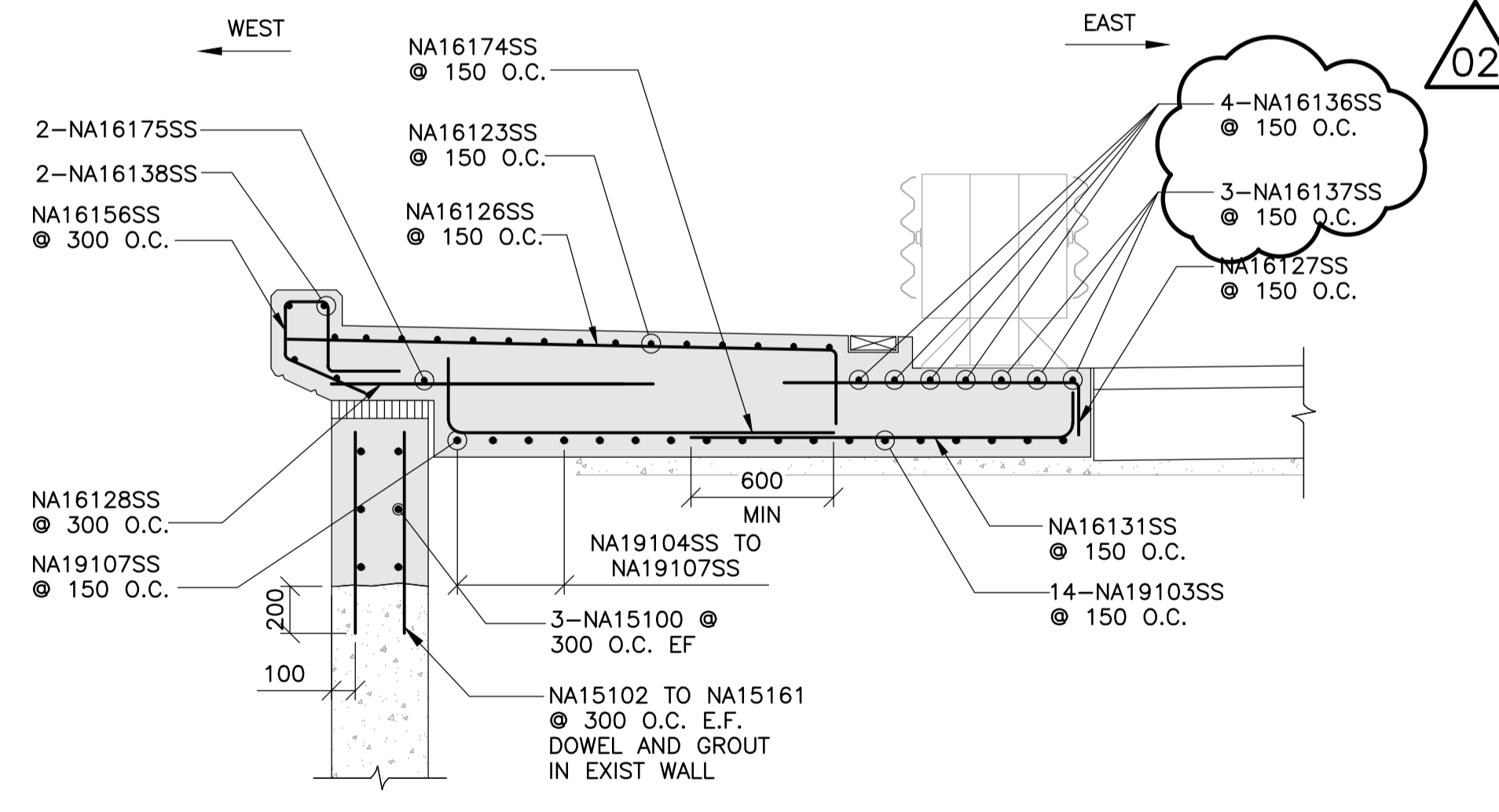
2 SECTION
32 33
1 : 30



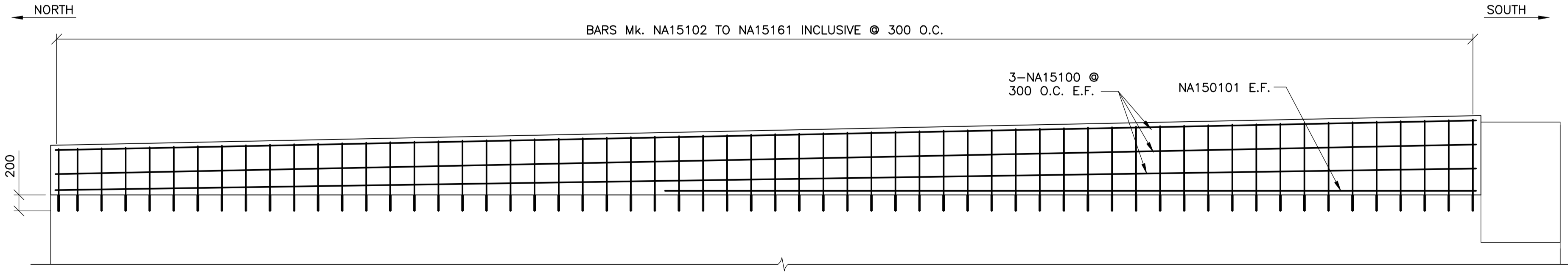
6 SECTION AT APPROACH SIDEWALK SLAB
32 33
1 : 25



3 SECTION
32 33
1 : 30



7 SECTION AT QUADGUARD LOCATION
32 33
1 : 25

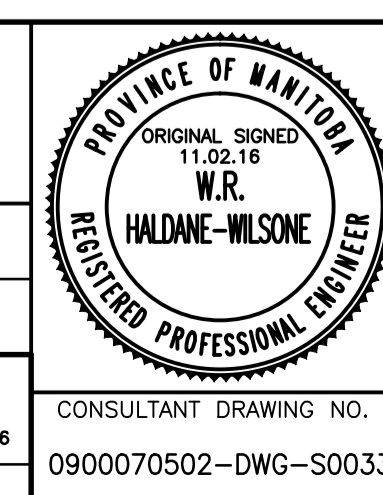


4 ELEVATION NORTH WEST RETAINING WALL
PHASE 2 REINFORCING
32 33
1 : 40



B.M. ELEV.	F.B.	DATE	BY

WARDROP <small>ATETRA TECH COMPANY</small>	
DESIGNED BY: S.Y.	CHECKED BY: R.H.W.
DRAWN BY: B.M.	APPROVED BY: R.H.W.
HOR. SCALE: AS NOTED	
VERTICAL: AS NOTED	RELEASED FOR CONSTRUCTION DATE: 11.02.16
NO. REVISIONS	DATE BY
	DATE 10.10.20



THE CITY OF WINNIPEG
PUBLIC WORKS DEPARTMENT
ENGINEERING DIVISION

OSBORNE STREET BRIDGE
REHABILITATION & RELATED WORKS

NORTH ABUTMENT AND APPROACH SLAB
PHASE 2 REINFORCING

CITY DRAWING NUMBER B109-11-038
SHEET 33 OF 131
33